



# WILDEN®

AIR OPERATED DOUBLE DIAPHRAGM PUMPS

A **DOVER** RESOURCES COMPANY

# PX8 Plastic Pump

FLOW RATE TO 157 GPM (594 LPM)  
 MAXIMUM OPERATING PRESSURE = 125 PSI (8.6 BAR)

## Specifications

### WETTED HOUSINGS (Water Chambers and Manifolds)

MATERIAL	SHIP WT.
Polypropylene	75 lbs. (34 kg.)
PVDF	95 lbs. (44 kg.)

### NON-WETTED HOUSINGS

DESCRIPTION	MATERIAL
Center Block	Polypropylene

Air Chambers Aluminum, Teflon®-coated Aluminum

Air Valve Polypropylene

### MAXIMUM SUCTION LIFT CAPABILITY

DRY LIFT  
 23' (7.0 m)  
 The above figure represents the rubber-fitted pump capability.

### MAXIMUM DIAMETER SOLIDS

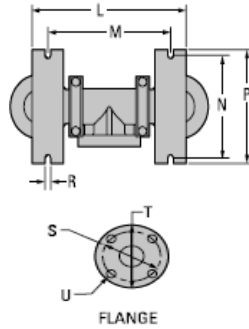
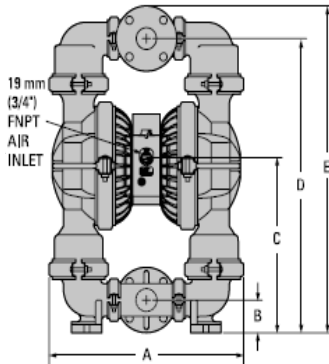
1/4" (6.35 mm) Diameter

### ELASTOMER OPTIONS

MATERIAL	TEMPERATURE LIMITS	
Polyurethane	+10 (-12.2)	to +150 (65.6) F° (C°)
Neoprene	0 (-17.8)	to +200 (93.3) F° (C°)
Buna-N®	+10 (-12.2)	to +180 (82.2) F° (C°)
Nordel®	-60 (-51.1)	to +280 (137.8) F° (C°)
Viton®	-40 (-40.0)	to +350 (176.7) F° (C°)
Saniflex™	-20 (-28.9)	to +220 (104.4) F° (C°)
Teflon® PTFE	+40 (4.4)	to +220 (104.4) F° (C°)
Wil-Flex™	-40 (-40.0)	to +225 (107.2) F° (C°)



**PROFLOX**

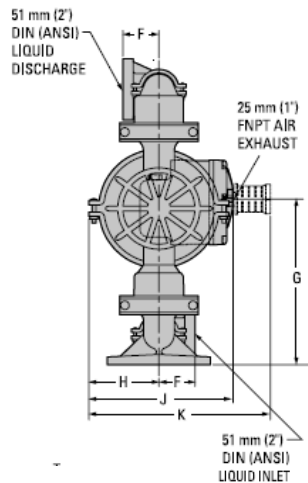


### DIMENSIONS

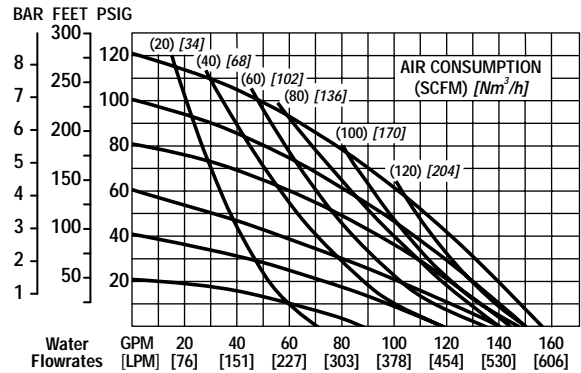
ITEM	METRIC (mm)	STANDARD (inch)
A	490	19.3
B	76	3.0
C	414	16.3
D	693	27.3
E	770	30.3
F	89	3.5
G	422	16.6
H	173	6.8
J	356	14.0
K	447	17.6
L	381	15.0
M	307	12.1
N	227	8.9
P	254	10.0
R	15	.6
DIN/ANSI COMBO		
S	122 DIA.	4.8 DIA.
T	155 DIA.	6.1 DIA.
U	20 DIA.	8 DIA.

T-section is designed to accommodate both DIN and ANSI pipe connections.

Refer to the EOM manual for TPE and Ultra-Flex™ performance curves.



### RUBBER-FITTED PX8 PLASTIC PUMP



### TEFLON®-FITTED PX8 PLASTIC PUMP

