



WILDEN®

AIR OPERATED DOUBLE DIAPHRAGM PUMPS

A **DOVER** RESOURCES COMPANY

P4 Plastic Pump

FLOW RATE TO 93 GPM (352.0 LPM)
 MAXIMUM OPERATING PRESSURE = 125 PSI (8.6 BAR)

Specifications

WETTED HOUSINGS (Water Chambers and Manifolds)

MATERIAL	SHIP WT.
Polypropylene	38 lbs. (17.5 kg.)
PVDF	49 lbs. (22.5 kg.)
Teflon® PFA	52 lbs. (23.9 kg.)

NON-WETTED HOUSINGS

DESCRIPTION	MATERIAL
Center Block	Polypropylene
Air Chambers	Aluminum, Teflon®-coated Aluminum
Air Valve	Polypropylene

MAXIMUM SUCTION LIFT CAPABILITY

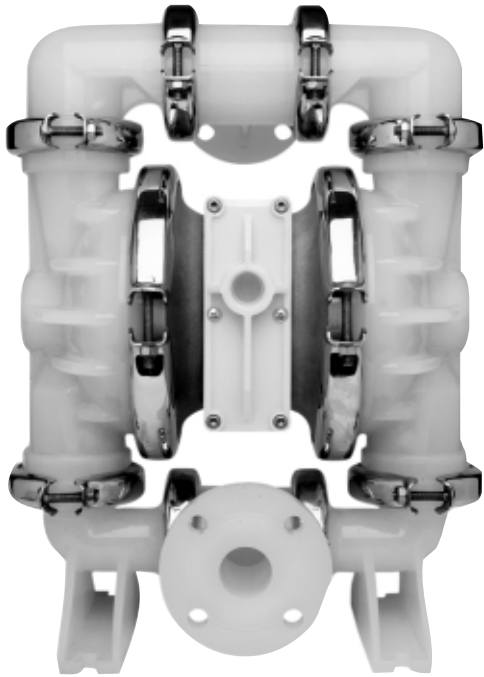
DRY LIFT
 16' (4.9 m)
 The above figure represents the TPE-fitted pump capability.

MAXIMUM DIAMETER SOLIDS

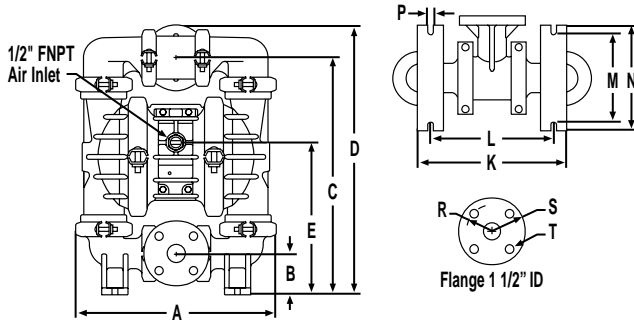
³/₁₆" (4.76 mm) Diameter

ELASTOMER OPTIONS

MATERIAL	TEMPERATURE LIMITS
Polyurethane	+10 (-12.2) to +150 (65.6) F° (C°)
Neoprene	0 (-17.8) to +200 (93.3) F° (C°)
Buna-N®	+10 (-12.2) to +180 (82.2) F° (C°)
Nordel®	-60 (-51.1) to +280 (137.8) F° (C°)
Viton®	-40 (-40.0) to +350 (176.7) F° (C°)
Saniflex™	-20 (-28.9) to +220 (104.4) F° (C°)
Teflon® PTFE	+40 (4.4) to +220 (104.4) F° (C°)
Wil-Flex™	-40 (-40.0) to +225 (107.2) F° (C°)



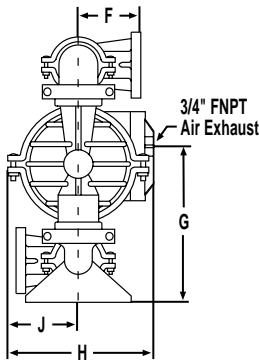
PROFLO™
 PROGRESSIVE PUMP TECHNOLOGY



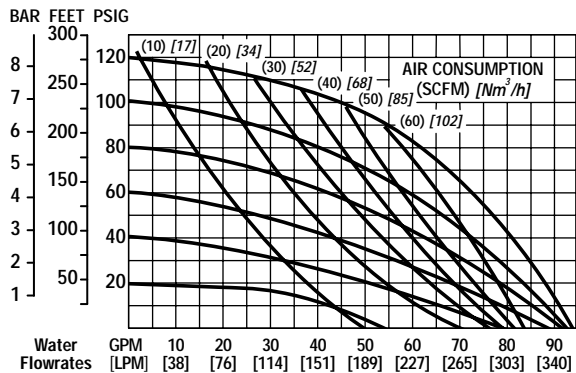
DIMENSIONS - P4 PLASTIC

ITEM	STANDARD (inch)	METRIC (mm)
B	3 1/8	79.4
D	20 3/4	527.1
F	4 3/4	120.7
H	11 3/16	284.1
K	11 5/16	287.4
M	7 1/8	181.0
P	15/32	11.9
R	1 15/16 RAD.	55.2 RAD.
T	9/16 DIA.	18.0 DIA.

DIN type flanges available for liquid inlet and discharge.
 Refer to the EOM manual for TPE performance curves.



RUBBER-FITTED P4 PLASTIC PUMP



TEFLON®-FITTED P4 PLASTIC PUMP

