

## P1500 ADVANCED<sup>™</sup> PLASTIC PUMP

Wilden P1500 - 3" (76.2 mm) Plastic Pump

**FLOW RATE TO 784 LPM (207 GPM)**  
**MAX PRESSURE = 8.6 BAR (125 PSI)**

### WETTED HOUSINGS

(Water Chambers and Manifolds)

Material Ship Wt

Polypropylene 138.4 kg (305 lbs)

PVDF 161.4 kg (356 lbs)

### NON-WETTED HOUSINGS

Description Material

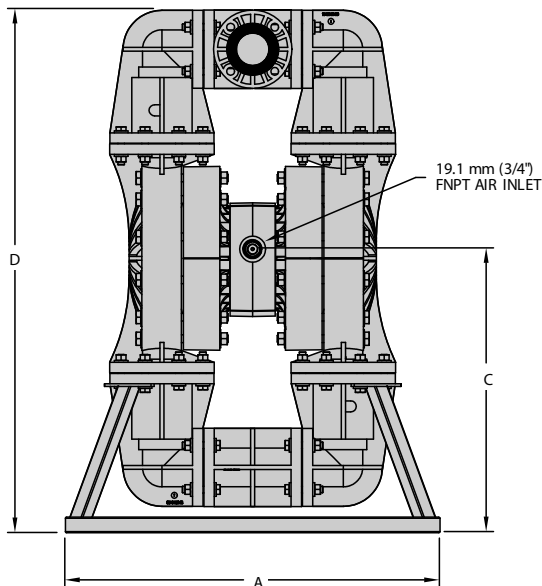
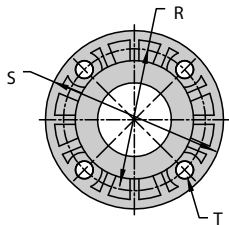
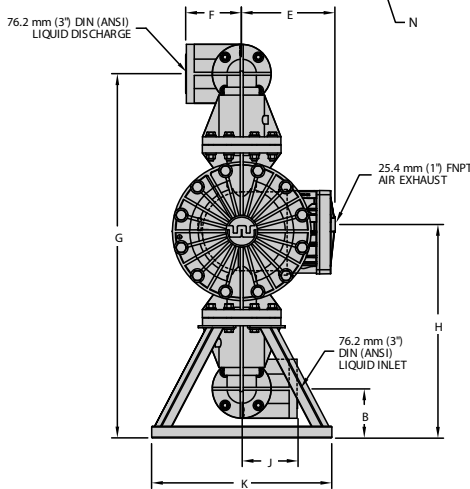
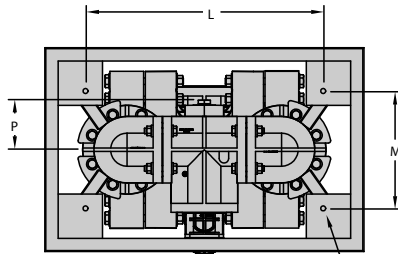
Center Block Polypropylene

Air Chambers Polypropylene

Air Valve Polypropylene



DIMENSIONS - P1500 ADVANCED <sup>®</sup> PLASTIC		
ITEM	METRIC (mm)	STANDARD (inch)
A	914	36.0
B	160	6.3
C	691	27.2
D	1279	50.4
E	303	11.9
F	181	7.1
G	1181	46.5
H	693	27.3
J	181	7.1
K	584	23.0
L	681	26.8
M	336	13.2
N	14 DIA.	.6
P	149	5.9
FLANGES		
	METRIC (mm)	STANDARD (inch)
R	160 DIA.	6.0
S	191 DIA.	7.5
T	18 DIA.	.8



### MAXIMUM SUCTION LIFT CAPABILITY

3.63m Dry (12')

### MAXIMUM DIAMETER SOLIDS

12.7 mm (1/2")

### ELASTOMER OPTIONS

Material Temperature Limits

Teflon<sup>®</sup> PTFE +4.4 (+40) to +104.4 (+220) °C (F°)

