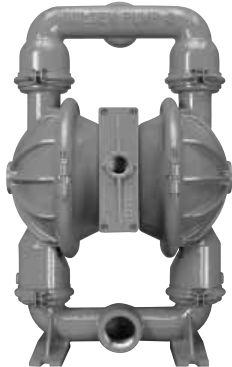




PX8 ORIGINAL™ METAL PUMP

INBUILT "EFFICIENCY MANAGEMENT SYSTEM" (EMS)

51 mm (2") Pump
Maximum Flow Rate:
685 LPM (181 GPM)



PUMP DATA

Specifications:

Height: 668 mm (26.3")
 Width: 404 mm (15.9")
 Depth: 348 mm (13.7")
 Air Inlet: 19 mm (3/4" FNPT)
 Liquid Inlet: 51 mm (2")
 Liquid Outlet: 51 mm (2")

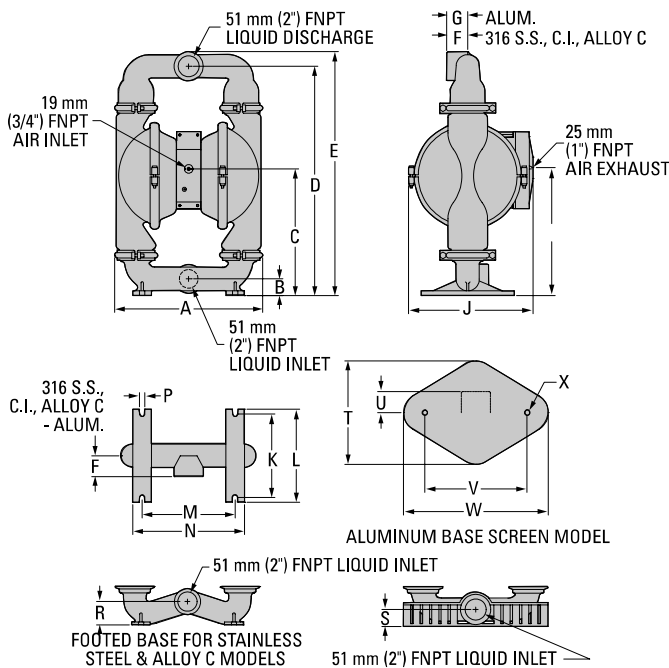
Wetted Material:

Alloy C: 54 kg (119 lbs)
 Aluminum: 35 kg (78 lbs)
 Cast Iron: 51 kg (112 lbs)
 Stainless Steel: 53 kg (117 lbs)

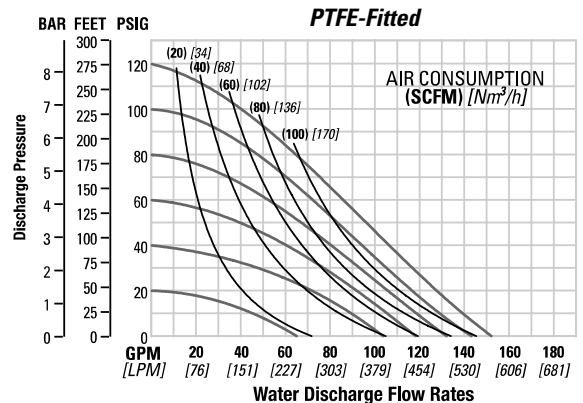
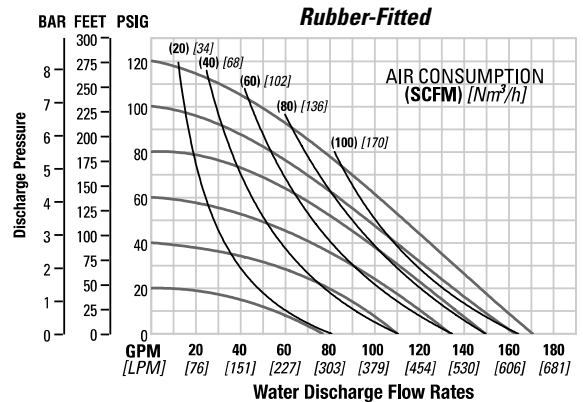
Temperature Limits:

Nylon -17.8°C to 93.3°C 0°F to 200°F
 Neoprene -17.8°C to 93.3°C 0°F to 200°F
 Buna-N -12.2°C to 82.2°C 10°F to 180°F
 Nordel® -51.1°C to 137.8°C -60°F to 280°F
 Viton® -40°C to 176.7°C -40°F to 350°F
 Wil-Flex™ -40°C to 107.2°C -40°F to 225°F
 Polyurethane 12.2°C to 65.6°C 10°F to 150°F
 Saniflex™ -28.9°C to 104.4°C -20°F to 220°F
 PTFE -28.9°C to 148.9°C -20°F to 300°F

PERFORMANCE



Max. Flow: Rubber/TPE 685 lpm (181 gpm)
 PTFE 617 lpm (163 gpm)
 Max. Pressure: 8.6 bar (125 psig)
 Max. Solids Passage: 6.4 mm (1/4")
 Max. Suction Lift (wet): Rubber/TPE 9.5 m (31.2")
 PTFE 9.5 m (31.2")
 (dry): Rubber/TPE 7.3 m (23.8")
 PTFE 5.4 m (17.6")



ITEM	METRIC (mm)	STANDARD (inch)	ITEM	METRIC (mm)	STANDARD (inch)
A	404	15.9	M	257	10.1
B	48	1.9	N	312	12.3
C	345	13.6	P	15	0.6
D	630	24.8	R	64	2.5
E	668	26.3	S	51	2.0
F	58	2.3	T	282	11.1
G	61	2.4	U	71	2.8
H	351	13.8	V	279	11.0
J	340	13.4	W	386	15.2
K	229	9.0	X	15 DIA.	.6 DIA.
L	254	10.0			