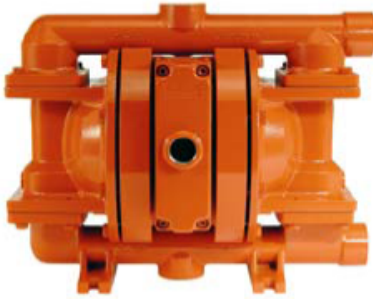




PX200 ADVANCED™ METAL PUMP

INBUILT "EFFICIENCY MANAGEMENT SYSTEM" (EMS)

25 mm (1") Pump
Maximum Flow Rate:
212.0 LPM (56 GPM)



PUMP DATA

Specifications:

Height: 290 mm (11.4")
 Width: 363 mm (14.3")
 Depth: 229 mm (9.0")
 Air Inlet: 6 mm (1/4" FNPT)
 Liquid Inlet: 25 mm (1")
 Liquid Outlet: 25 mm (1")

Wetted Material:

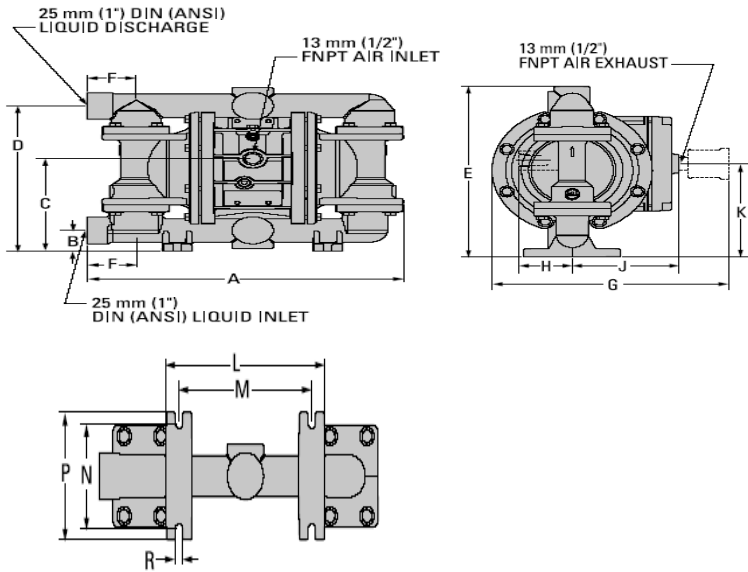
Aluminum: 15 kg (34 lbs)
 Ductile Iron: 26 kg (57 lbs)
 Stainless Steel: 28 kg (61 lbs)

Temperature Limits:

Nylon -17.8°C to 93.3°C 0°F to 200°F
 Neoprene -17.8°C to 93.3°C 0°F to 200°F
 Buna-N -12.2°C to 82.2°C 10°F to 180°F
 Nordel® -51.1°C to 137.8°C -60°F to 280°F
 Viton® -40°C to 176.7°C -40°F to 350°F
 Wil-Flex™ -40°C to 107.2°C -40°F to 225°F
 Polyurethane 12.2°C to 65.6°C 10°F to 150°F
 Saniflex™ -28.9°C to 104.4°C -20°F to 220°F
 PTFE -28.9°C to 148.9°C -20°F to 300°F

PERFORMANCE

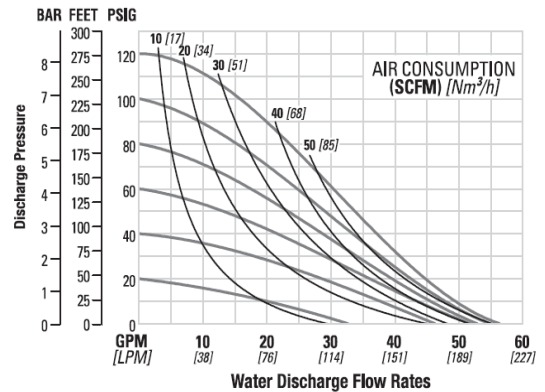
Max. Flow: Rubber/TPE 212.0 lpm (56 gpm)
 PTFE 185.4 lpm (49.0 gpm)
 Max. Pressure: 8.6 bar (125 psig)
 Max. Solids Passage: 6.4 mm (1/4")
 Max. Suction Lift (wet): Rubber/TPE 9.3 m (30.6")
 PTFE 9.3 m (30.6")
 (dry): Rubber/TPE 5.4 m (17.6")
 PTFE 3.5 m (11.4")



DIMENSIONS

ITEM	METRIC (mm)	STANDARD (inch)
A	361	14.2
B	36	1.4
C	163	6.4
D	254	10.0
E	287	11.3
F	56	2.2
G	384	15.1
H	71	2.8
J	140	5.5
K	155	6.1
L	206	8.1
M	173	6.8
N	104	4.1
P	127	5.2
R	10	0.4

RUBBER FITTED



PTFE FITTED

