



## PX1 METAL PUMP

INBUILT "EFFICIENCY MANAGEMENT SYSTEM" (EMS)

**13 mm (1/2") Pump**  
**Maximum Flow Rate:**  
**62.5 LPM (16.5 GPM)**



### PUMP DATA

#### Specifications:

Height: 224 mm (8.8")  
 Width: 208 mm (8.2")  
 Depth: 287 mm (11.3")  
 Air Inlet: 13 mm (1/2" FNPT)  
 Liquid Inlet: 13 mm (1/2")  
 Liquid Outlet: 13 mm (1/2")

#### Wetted Material:

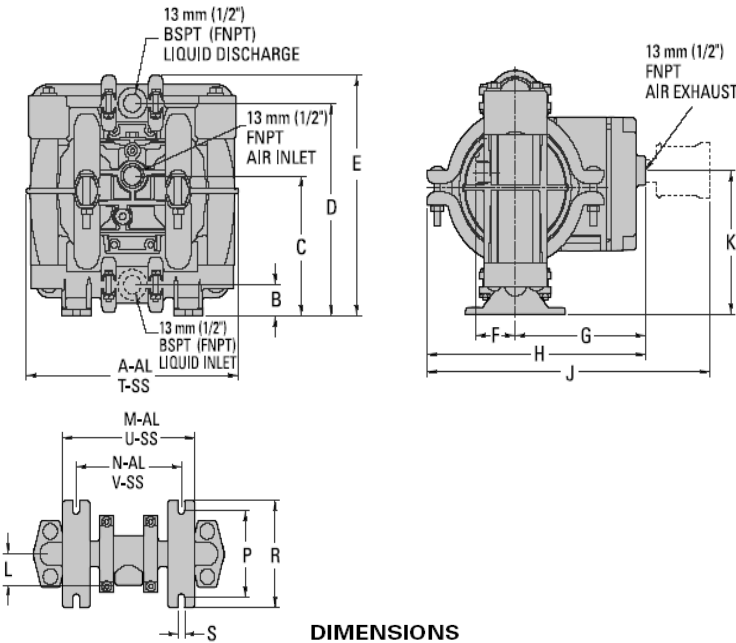
Aluminum: 6 kg (13 lbs)  
 Stainless Steel: 9 kg (20 lbs)

#### Temperature Limits:

Nylon -17.8°C to 93.3°C 0°F to 200°F  
 Neoprene -17.8°C to 93.3°C 0°F to 200°F  
 Buna-N -12.2°C to 82.2°C 10°F to 180°F  
 Nordel® -51.1°C to 137.8°C -60°F to 280°F  
 Viton® -40°C to 176.7°C -40°F to 350°F  
 Wil-Flex™ -40°C to 107.2°C -40°F to 225°F  
 Polyurethane 12.2°C to 65.6°C 10°F to 150°F  
 Saniflex™ -28.9°C to 104.4°C -20°F to 220°F  
 PTFE -28.9°C to 148.9°C -20°F to 300°F

### PERFORMANCE

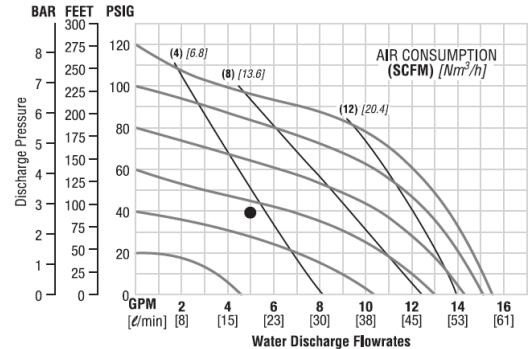
Max. Flow: Rubber/TPE 62.5 lpm (16.5 gpm)  
 PTFE 60.9 lpm (16.1 gpm)  
 Max. Pressure: 8.6 bar (125 psig)  
 Max. Solids Passage: 1.6 mm (1/16")  
 Max. Suction Lift (wet): Rubber/TPE 8.0 m (26.1')  
 PTFE 8.0 m (26.6')  
 (dry): Rubber/TPE 5.9 m (19.3')  
 PTFE 4.7 m (15.3')



#### DIMENSIONS

ITEM	METRIC (mm)	STANDARD (inch)
A	208	8.2
B	28	1.1
C	130	5.1
D	198	7.8
E	224	8.8
F	41	1.6
G	132	5.2
H	221	8.7
J	361	14.2
K	132	5.2
L	30	1.2
M	137	5.4
N	109	4.3
P	84	3.3
R	102	4.0
S	8	0.3
T	203	8.0
U	142	5.6
V	112	4.4

#### RUBBER FITTED



#### PTFE FITTED

