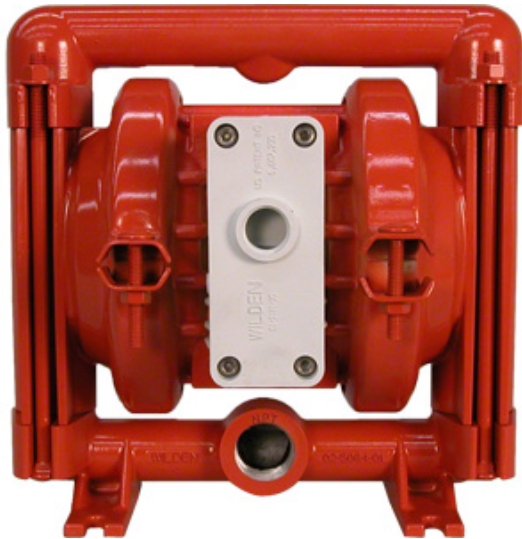




WILDEN®

AIR OPERATED DOUBLE DIAPHRAGM PUMPS

A **DOVER** RESOURCES COMPANY



PRO-FLO™
PROGRESSIVE PUMP TECHNOLOGY

P2 Metal Pump

FLOW RATE TO 45 GPM (170.3 LPM)
MAXIMUM OPERATING PRESSURE = 125 PSI (8.6 BAR)

Specifications

WETTED HOUSINGS (Water Chambers and Manifolds)

MATERIAL	SHIP WT.
Aluminum	26 lbs. (12 kg.)
Hastelloy	40 lbs. (16 kg.)
316 S.S.	36 lbs. (16.6 kg.)

NON-WETTED HOUSINGS

DESCRIPTION	MATERIAL
Center Section	Carilon®

Air Valve Polypropylene or Acetal

MAXIMUM SUCTION LIFT CAPABILITY

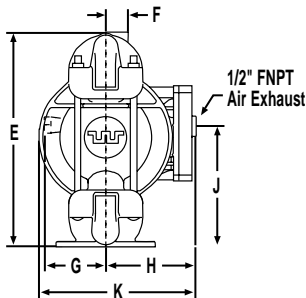
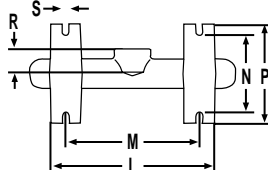
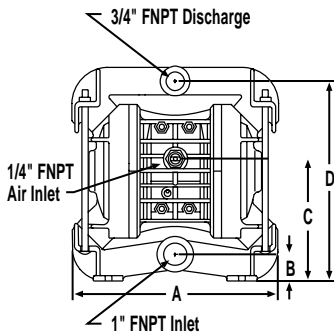
DRY LIFT
19' (5.8 m)
The above figure represents the rubber-fitted pump capability.

MAXIMUM DIAMETER SOLIDS

1/8" (3.17 mm) Diameter

ELASTOMER OPTIONS

MATERIAL	TEMPERATURE LIMITS
Polyurethane	+10 (-12.2) to +150 (65.6) F° (C°)
Neoprene	0 (-17.8) to +200 (93.3) F° (C°)
Buna-N®	+10 (-12.2) to +180 (82.2) F° (C°)
Nordel®	-60 (-51.1) to +280 (137.8) F° (C°)
Viton®	-40 (-40.0) to +350 (176.7) F° (C°)
Saniflex™	-20 (-28.9) to +220 (104.4) F° (C°)
Teflon® PTFE	+40 (4.4) to +300 (148.9) F° (C°)
Wil-Flex™	-40 (-40.0) to +225 (107.2) F° (C°)



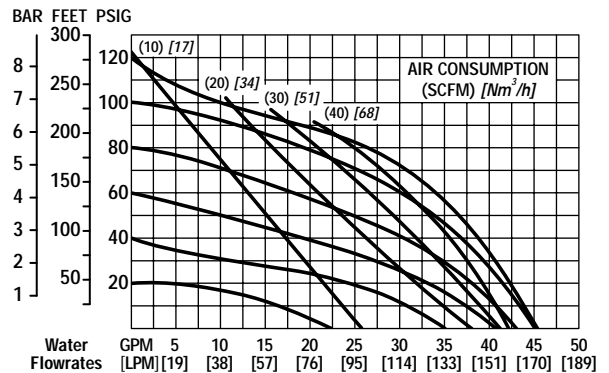
DIMENSIONS - P2 METAL

ITEM	STANDARD (inch)	METRIC (mm)
A	10 17/32	267.5
B	1 7/16	36.5
C	6 1/32	153.2
D	10	254.0
E	11	279.4
F	1 1/8	28.6
G	3 1/32	77.0
H	4 19/32	116.7
J	6	152.4
K	7 29/32	200.8
L	8 1/4	209.6
M	6 3/4	171.5
N	4 3/16	106.4
P	5	127.0
R	5/16	7.9
S	1 1/4	31.8

BSP threads available for liquid inlet and discharge.

Refer to the EOM manual for TPE performance curve.

RUBBER-FITTED P2 METAL PUMP



TEFLON®-FITTED P2 METAL PUMP

