

POS. COMPONENT	CONSTRUCTION CHARACTERISTICS
----------------	------------------------------

1	<b>EXTERNAL SLEEVE</b>	Stainless steel AISI 304, complete with threaded delivery port in compliance with ISO 228/1
2	<b>SUCTION FILTER</b>	Stainless steel AISI 304
3	<b>MOTOR SLEEVE</b>	Stainless steel AISI 304
4	<b>IMPELLERS AND DIFFUSERS</b>	Noryl GFN2V
5	<b>DIAPHRAGMS</b>	Stainless steel AISI 304, complete with anti-wear ring
6	<b>MOTOR SHAFT</b>	Stainless steel EN 10088-3 - 1.4104

**7 TWO MECHANICAL SEALS SEPARATED BY AN OIL CHAMBER**

Seal Model	Shaft Diameter	Position	Materials		
			Stationary ring	Rotational ring	Elastomer
MG1-19	Ø 19 mm	Motor side	Silicon carbide	Graphite	NBR
MG1-18 SIC	Ø 18 mm	Pump side	Silicon carbide	Silicon carbide	NBR

8	<b>BEARINGS</b>	6304 2RS - C3 / 6203 ZZ - C3
---	-----------------	------------------------------

**9 CAPACITOR**

Pump Single-phase	Capacitance (230 V or 240 V)
NKm 2/5	35 µF 450 VL
NKm 4/4	50 µF 450 VL
NKm 4/5	50 µF 450 VL

**10 ELECTRIC MOTOR**

**NKm:** single-phase 230 V - 50 Hz.  
 Windings up to **1.5 kW** with built-in thermal overload protector.  
 ⇒ The **NKm4/5 2.2 kW** pump is equipped with an external manual reset overload protector housed in the control box.

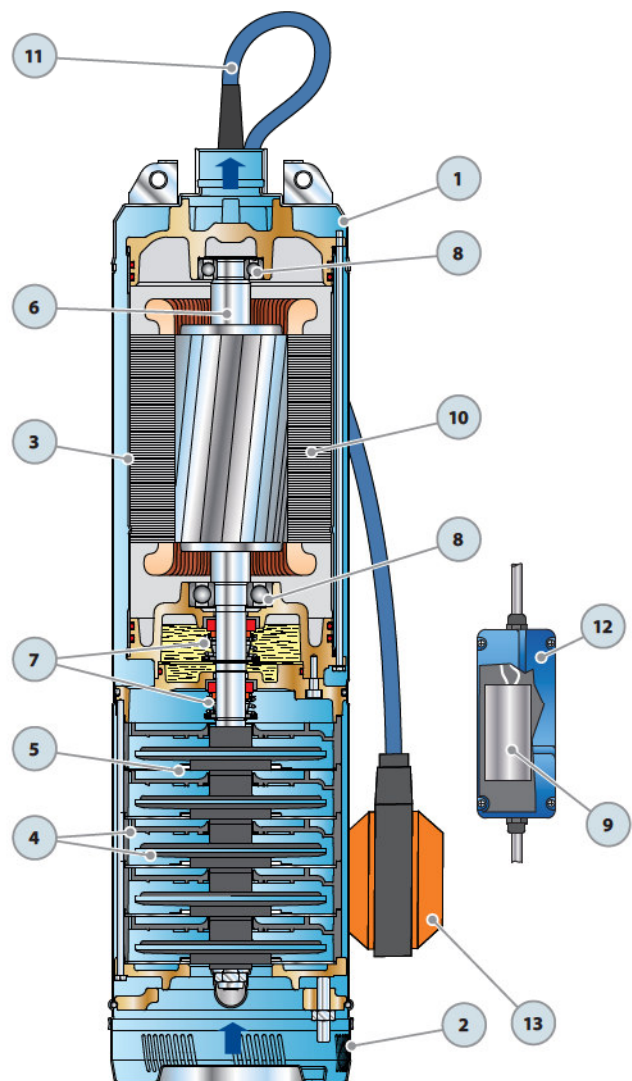
**NK:** three-phase 400 V - 50 Hz.  
 – Insulation: F class.  
 – Protection: IP 68.

**11 POWER CABLE**

⇒ **20 metre long DRINCABLE® with removable connector for permanent immersion in drinking water**

**12 CONTROL BOX** (for single-phase versions)

**13 FLOAT SWITCH**



## DIMENSIONS AND WEIGHT

MODEL		PORT DN	N° STAGES	DIMENSIONS mm		kg	
Single-phase	Three-phase			∅	h	1~	3~
NKm 2/5	NK 2/5	1 1/4"	6	153	612	<b>26.7</b>	<b>23.8</b>
NKm 4/4	NK 4/4		5		582	<b>26.0</b>	<b>24.4</b>
NKm 4/5	NK 4/5		7		642	<b>30.5</b>	<b>28.0</b>



## ABSORPTION

MODEL	VOLTAGE (single-phase)	
	230 V	240 V
Single-phase		
NKm 2/5	<b>9.0 A</b>	<b>9.0 A</b>
NKm 4/4	<b>9.5 A</b>	<b>9.5 A</b>
NKm 4/5	<b>14.0 A</b>	<b>14.0 A</b>

MODEL	VOLTAGE (three-phase)			
	230 V	400 V	240 V	415 V
Three-phase				
NK 2/5	<b>6.2 A</b>	<b>3.6 A</b>	<b>6.2 A</b>	<b>3.6 A</b>
NK 4/4	<b>6.2 A</b>	<b>3.6 A</b>	<b>6.2 A</b>	<b>3.6 A</b>
NK 4/5	<b>8.5 A</b>	<b>4.9 A</b>	<b>8.5 A</b>	<b>4.9 A</b>

## PALLETIZATION

MODEL		GROUPAGE				CONTAINER			
		n° pumps	H (mm)	kg		n° pumps	H (mm)	kg	
Single-phase	Three-phase			1~	3~			1~	3~
NKm 2/5	NK 2/5	<b>20</b>	1100	551	493	<b>40</b>	2060	1085	969
NKm 4/4	NK 4/4	<b>20</b>	1100	537	505	<b>40</b>	2060	1058	993
NKm 4/5	NK 4/5	<b>20</b>	1100	627	576	<b>40</b>	2060	1237	1136

