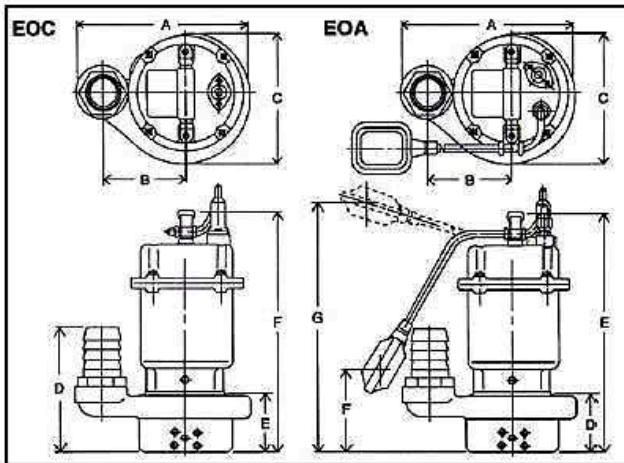


GENERAL DEWATERING SUBMERSIBLE PUMPS

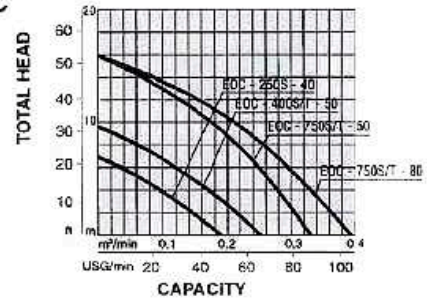


ITEM		Discharge bore size		
		mm	50	80
Pumping Fluid	Type of Fluid	Rain water, Ground water, Sand carrying water		
	Liquid Temperature	0 - 40°C		
Pump	Components	Impeller	Open type	
		Shaft Seal	Double mechanical seal	
		Bearing	Shielded ball bearing	
	Materials	Impeller	Cast Iron	
		Casing	Cast Iron	
Shaft Seal (Mechanical Seal)	Ceramic carbon			
Motor	Types , poles	Dry-type submersible induction motor, 2 poles		
	Insulation	Class E		
	Phase/Voltage	Single phase/ Three phase 110V 60Hz 440V 60Hz 240V 50Hz 415V 50Hz		
	Motor protector (built in)	Circle thermal protector		
	Materials	Frame	Cast Iron	
		Shaft	Stainless steel #403	
Cable		VCTF		
Discharge connection		Hose coupling		

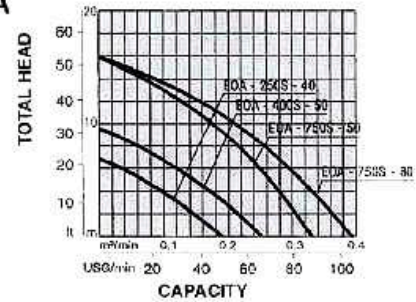
DIMENSIONS



EOC



EOA



SPECIFICATIONS

TYPE	Power	Phase	Volt	Disch Dia	Max Head	Max Flow	Cable	Weight	A	B	C	D	E	F	G
	KW(HP)	PH	V	inch(mm)	M	M ³ /MIN	mm ² x M	KG	mm	mm	mm	mm	mm	mm	
EOC-250S-40	0.25(1/3)	1	100-240	1 1/2"(40)	7	0.2	1.25"x 6	15	225	110	170	163	80	350	
EOC-400S-50	0.4(1/2)	1	100-240	2"(50)	10	0.24	1.25"x 6	18	225	120	190	165	85	410	
EOC-400T-50		3	200-460	2"(50)											
EOC-750S-50	0.75(1)	1	100-240	2"(50)	16	0.34	1.25"x 6	26	225	120	190	165	85	430	
EOC-750T-50		3	200-460												
EOC-750S-80		1	100-240												3"(80)
EOC-750T-80	3	200-460													
EOA-250S-40	0.25(1/3)	1	100-240	1 1/2"(40)	7	0.2	1.25"x 6	15	225	110	170	80	350	85	400
EOA-400S-50	0.4(1/2)	1	100-240	2"(50)	10	0.24	1.25"x 6	18	255	120	190	85	410	90	460
EOA-750S-80	0.75(1)	1	100-240	2"(50)	16	0.34	1.25"x 6	26	255	120	190	85	430	90	480
EOA-750S-80		1	100-240	3"(80)	16	0.4	1.25"x 6	28	310	155	210	95	430	100	480

DIMENSIONS